

# Kendo RS, RM, RL & RXL - Installation Instructions

## Models KRS-XX, KRM-XX, KRL-XX, & KRXL-XX

**Please read all instructions prior to installation and keep for future reference!**

1. PRODUCT TO BE INSTALLED BY A QUALIFIED ELECTRICIAN
2. USE ONLY WITH CLASS 2 POWER UNIT
3. 24 VOLTS DC
4. SUITABLE FOR DAMP LOCATIONS
5. WALL MOUNT ONLY
6. SUITABLE FOR INSTALLATION WITHIN THE CLOSET STORAGE SPACE
7. TYPE IC (CEILING & WALL)
8. SUITABLE FOR GROUND MOUNTED-RECESSED, ACCESS ABOVE CEILING REQUIRED



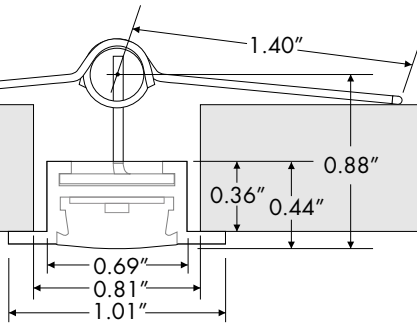
**1**

**NOTE:** The fixtures can be installed in various mounting materials. As long as the recessed depth is considered as shown below. These light fixtures can be installed in a up or down position. Reference specific model for accurate dimensions.



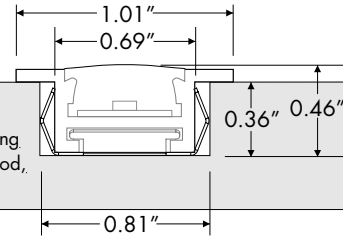
**Kendo RS**

soft surface mounting bracket, such as drywall, plaster



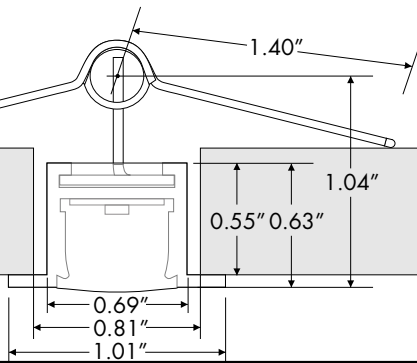
**Kendo RS**

hard surface mounting bracket, such as wood, stone, tile



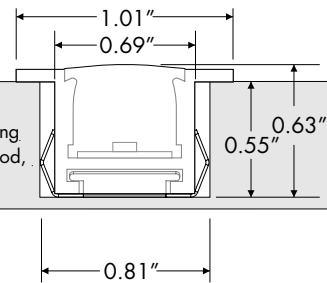
**Kendo RM**

soft surface mounting bracket, such as drywall, plaster



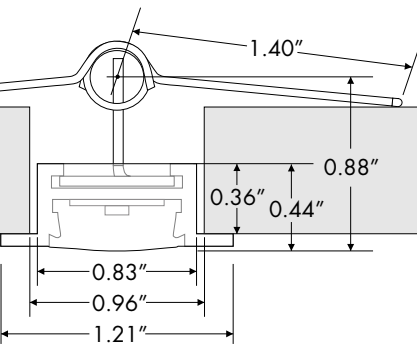
**Kendo RM**

hard surface mounting bracket, such as wood, stone, tile



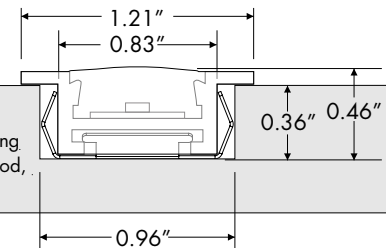
**Kendo RL**

soft surface mounting bracket, such as drywall, plaster



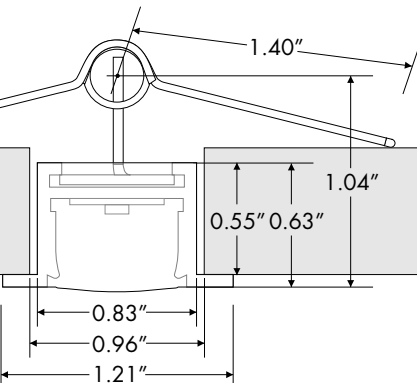
**Kendo RL**

hard surface mounting bracket, such as wood, stone, tile



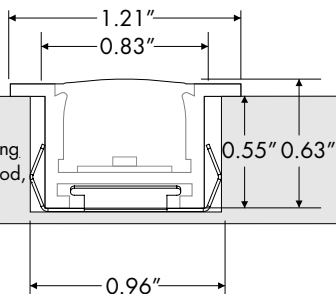
**Kendo RXL**

soft surface mounting bracket, such as drywall, plaster



**Kendo RXL**

hard surface mounting bracket, such as wood, stone, tile



# Kendo RS, RM, RL & RXL - Installation Instructions

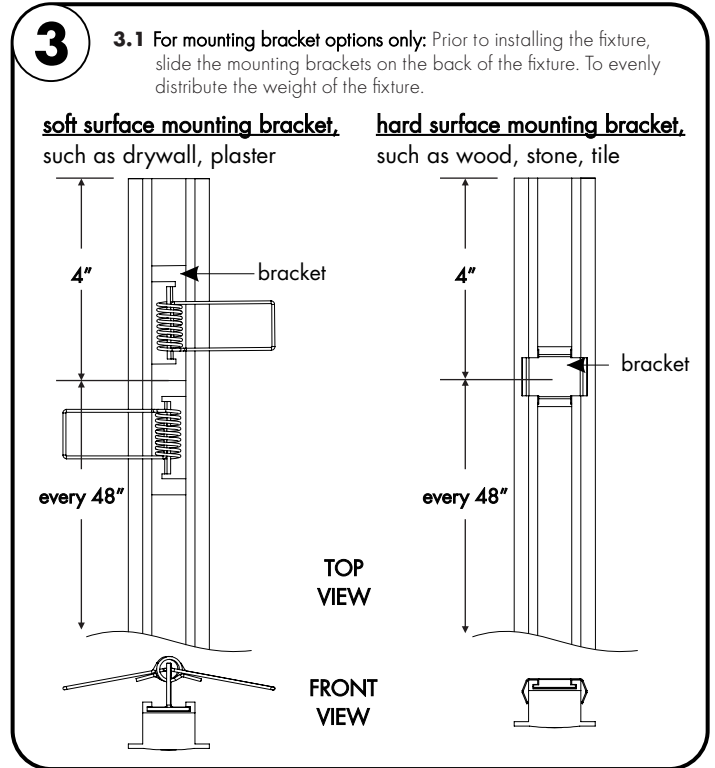
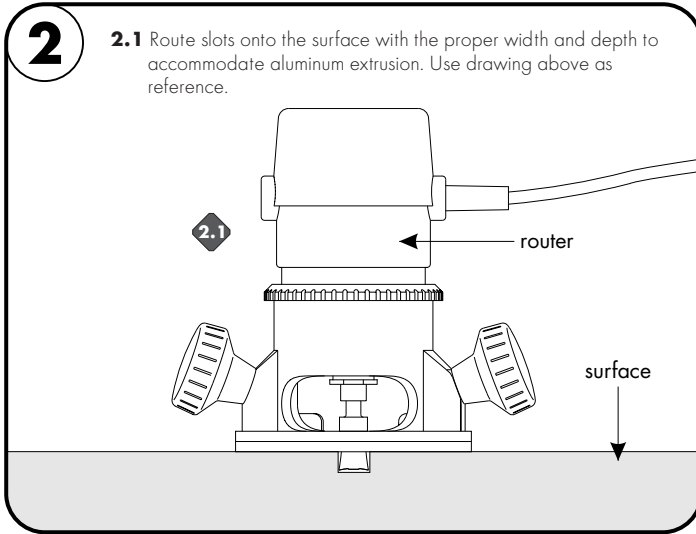
## Models KRS-XX, KRM-XX, KRL-XX, & KRXL-XX

**Please read all instructions prior to installation and keep for future reference!**

1. PRODUCT TO BE INSTALLED BY A QUALIFIED ELECTRICIAN
2. USE ONLY WITH CLASS 2 POWER UNIT
3. 24 VOLTS DC
4. SUITABLE FOR DAMP LOCATIONS
5. WALL MOUNT ONLY
6. SUITABLE FOR INSTALLATION WITHIN THE CLOSET STORAGE SPACE
7. TYPE IC (CEILING & WALL)
8. SUITABLE FOR GROUND MOUNTED-RECESSED, ACCESS ABOVE CEILING REQUIRED



7777 Merrimac Ave  
Niles, IL 60714  
T 224.333.6033  
F 224.757.7557  
info@luminii.com  
www.luminii.com



# Kendo RS, RM, RL & RXL - Installation Instructions

## Models KRS-XX, KRM-XX, KRL-XX, & KRXL-XX

**Please read all instructions prior to installation and keep for future reference!**

1. PRODUCT TO BE INSTALLED BY A QUALIFIED ELECTRICIAN
2. USE ONLY WITH CLASS 2 POWER UNIT
3. 24 VOLTS DC
4. SUITABLE FOR DAMP LOCATIONS
5. WALL MOUNT ONLY
6. SUITABLE FOR INSTALLATION WITHIN THE CLOSET STORAGE SPACE
7. TYPE IC (CEILING & WALL)
8. SUITABLE FOR GROUND MOUNTED-RECESSED, ACCESS ABOVE CEILING REQUIRED



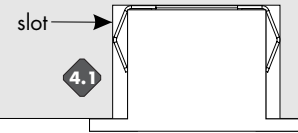
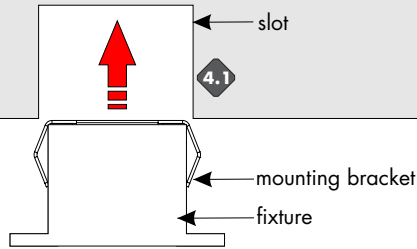
### 4

**NOTE:** Fixture wires must be considered, prior to installing. Reference wiring diagram for additional information on step 5.

**NOTE:** Follow one of the three mounting options, to properly install fixture.

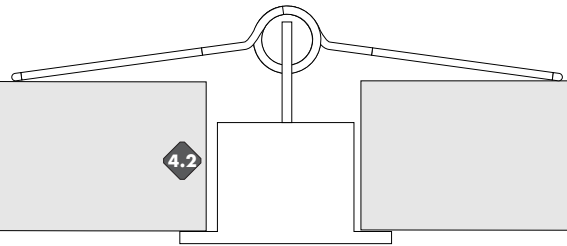
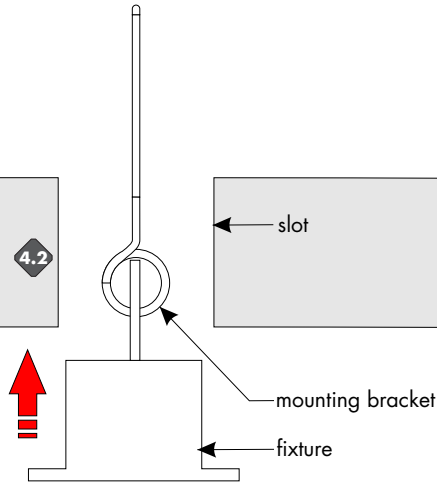
**4.1 For hard surface mounting bracket option:** Align the mounting brackets to the cutout slot, then carefully push the fixture completely inside to the slot to secure.

**HS mounting:**  
Hard surface  
mounting bracket



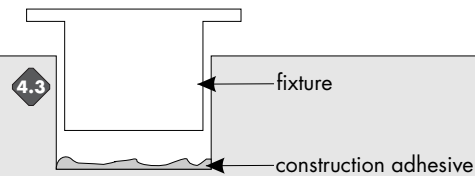
**4.2 For soft surface mounting bracket option:** Bend the adjustable springs to a straight position, followed by pushing the fixture completely inside the cutout slot. Then release the springs to secure.

**GS mounting**  
Gypsum surface  
mounting bracket

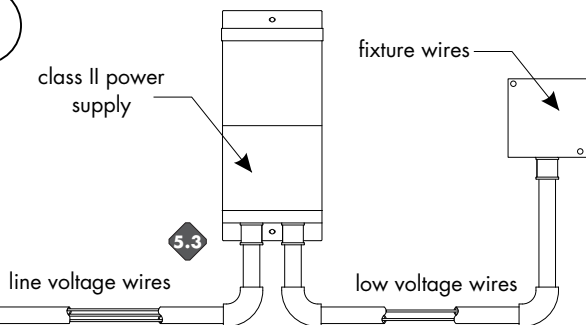


**4.3 For no mounting bracket option:** Apply construction adhesive to the bottom of the cutout slot, then place fixture onto adhesive to secure.

**NB mounting**  
No bracket  
mounting



### 5



**5.1** Ensure the correct (wattage & voltage) power supply is used to power the fixture. Then proceed to connect the fixture wires from fixture to the power supply. For more information please refer to power supply wiring instructions.